

**MST 1-PHASE CONTROL AND ISOLATION TRANSFORMER**

P: 1000VA IN: 230/400VAC OUT: 230VAC

Single-phase - Control and Isolation Transformers  
1000 VA  
Isolation class T 40/B  
Other voltages on request.

[Link to Product](#)**Illustration**

Product may differ from Image

**Approvals****Input**

Input voltage	230/400 V AC
Frequency	50...60 Hz
Inrush current	66 A (230 V AC); 38 A (400 V AC)
Short-circuit current	148 A (230 V AC); 85 A (400 V AC)
Input current	4.73 A (230 V AC); 2.72 A (400 V AC)

**Output**

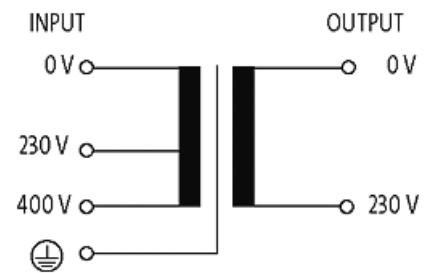
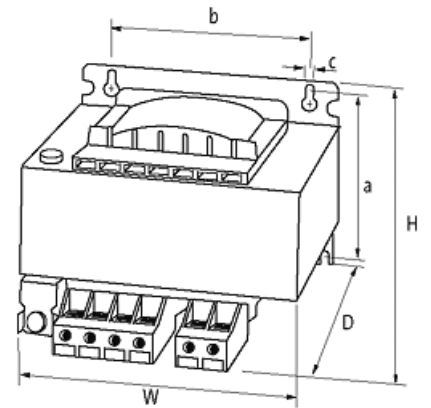
Output voltage	230 V AC
Output rating	1000 VA

**General data**

Standards	EN 61558-1, EN 61558-2-4, EN 62041 category 0
Test isolation voltage	4 kV (prim./sec.)
Mounting method	Key-hole mounting
Temperature range	-20...+40 °C (storage temperature -40...+80 °C)
Dimensions H×W×D	128×174×160 mm
Fixing centers a×b×c	102×135×7 mm
Drill hole Ø	7×11 mm

**Commercial data**

country of origin	CZ
customs tariff number	85043180
EAN	4048879078627
eClass	27031302
Packaging unit	1

**Sketch**

Product may differ from Image